

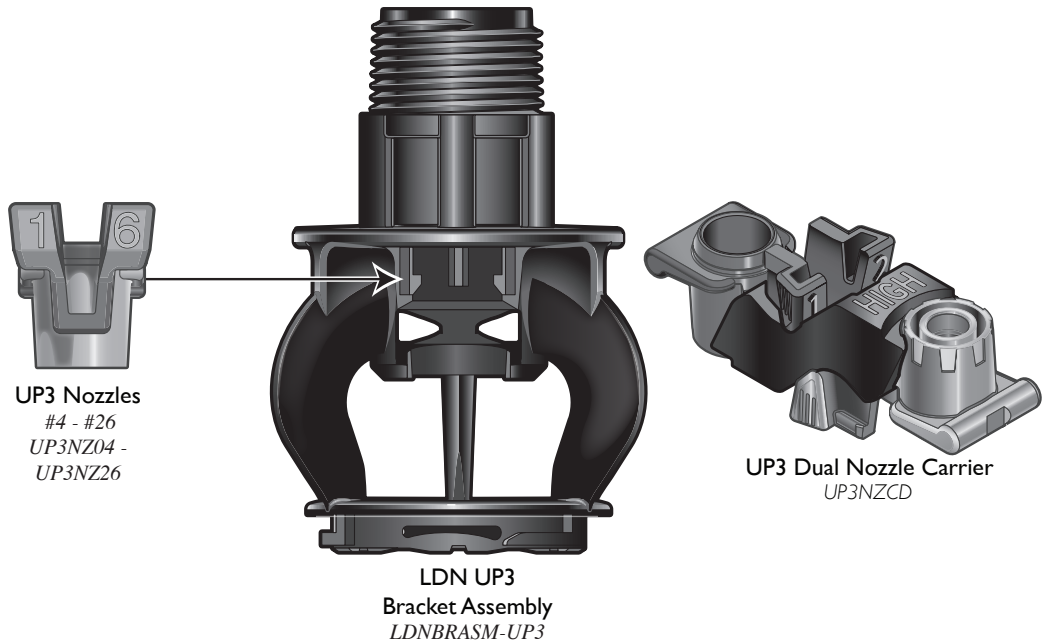
LDN UP3™

Recommended installation

Component Assembly



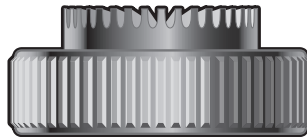
Magnum Weight
(0.85 LB) MAGWGTSLP



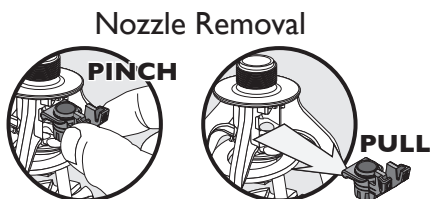
UP3 Nozzles
#4 - #26
UP3NZ04 -
UP3NZ26

UP3 Dual Nozzle Carrier
UP3NZCD

LDN UP3
Bracket Assembly
LDNBRASM-UP3



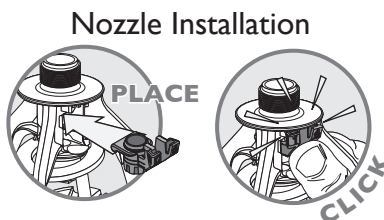
Deflector Pads
Please see LDN schematic for part numbers



Nozzle Removal

PINCH

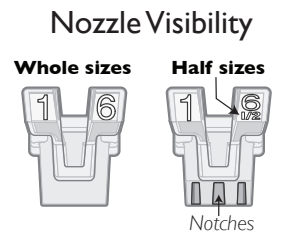
PULL



Nozzle Installation

PLACE

CLICK



Nozzle Visibility

Whole sizes

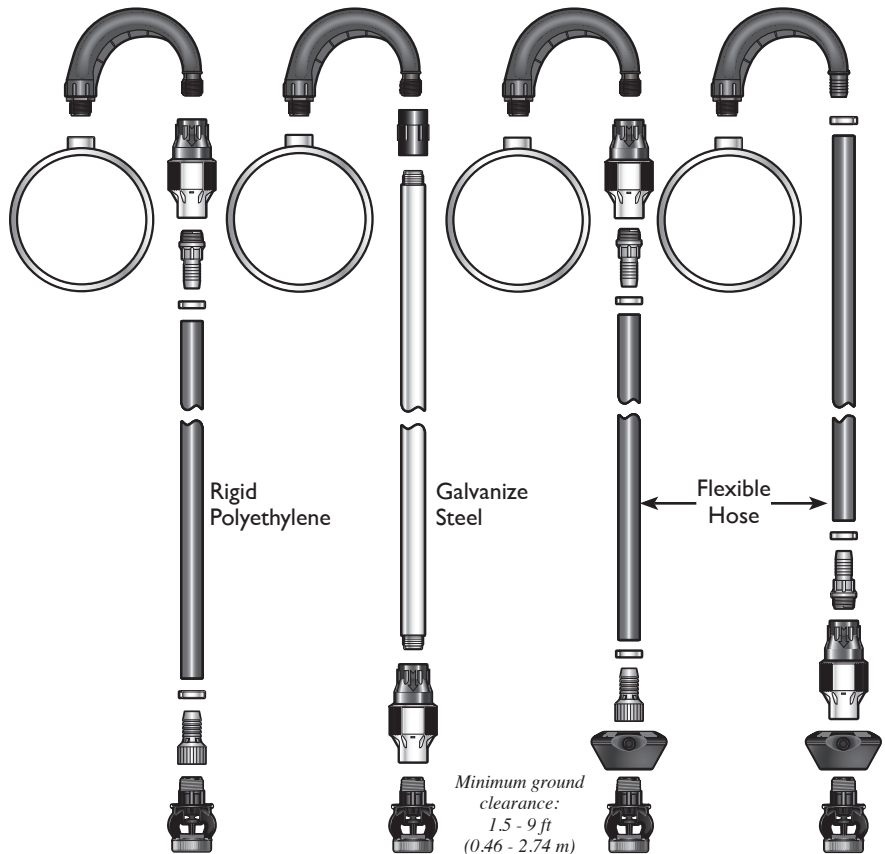
Half sizes

Notches

LDN System Assembly

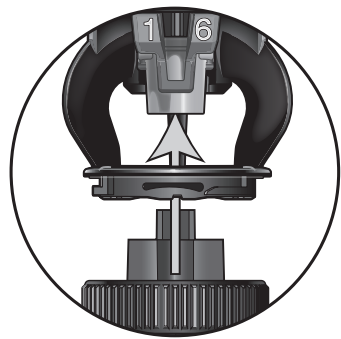
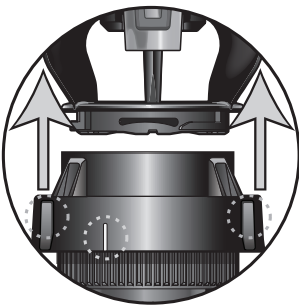
Mounting

1. The LDN can be mounted on rigid drops or flexible hose drops.
2. When using flexible hose a weight is recommended.
3. When using the Senninger Magnum Weight, use the internal **fit technology** to nest weight onto the base of the LDN.
4. Conventional slip over weights can be used with the LDN.
5. Mount the LDN no less than 1.5 - 9 ft (0.46 - 2.74 m) above the ground.
6. See Senninger Gooseneck brochure for additional mounting options.



Bubbler Pad Assembly

Make sure the **large tick marks** of the UP3 Bubbler Pad align with the LDN UP3 Bracket legs before twisting to lock it in. The **small tick mark** aligns with the leg when locked.



Part-Circle Pad Assembly

With the **nozzle number** in the bracket facing you, center the **tab** on the Part-Circle Pad behind the nozzle before twisting to lock it in.

Pressure Regulator Location

1. Pressure regulators can be installed at the top of the drop, or near the applicator.
2. Always follow your customized printout for proper pressure regulator placement.

Important: To maintain product warranty and maximize drop component life, refer to the information and diagrams here.

System Design Criteria	Mini Pad	Single Pad	Double Pad	Triple Pad	Part-Circle Pad	Bubbler Pad
Nozzle sizes						
Minimum	#4 1/16" (1.59 mm)	#10 5/32" (3.97 mm)	#15 15/64" (5.95 mm)	#20 5/16" (7.94 mm)	#6 3/32" (2.38 mm)	#4 1/16" (1.59 mm)
Maximum*	#9 9/64" (3.57 mm)	#14 7/32" (5.56 mm)	#19 19/64" (7.54 mm)	#26 13/32" (10.32 mm)	#18 9/32" (7.14 mm)	#26 13/32" (10.32 mm)
Flows						
Minimum	0.27 gpm (61 L/hr)	1.74 gpm (395 L/hr)	3.93 gpm (893 L/hr)	6.99 gpm (1588 L/hr)	0.62 gpm (141 L/hr)	0.27 gpm (61 L/hr)
Maximum	2.56 gpm (581 L/hr)	6.25 gpm (1420 L/hr)	11.5 gpm (2619 L/hr)	21.2 gpm (4811 L/hr)	10.4 gpm (2351 L/hr)	21.2 gpm (4811 L/hr)
Maximum Spacing**						
at 6 ft (1.8 m) ground clearance	7 ft (2.13 m)	7 ft (2.13 m)	7 ft (2.13 m)	7 ft (2.13 m)	N/A (N/A)	
Pressure at the Nozzle						
Minimum	6 psi (0.41 bar)	6 psi (0.41 bar)	6 psi (0.41 bar)	6 psi (0.41 bar)	6 psi (0.41 bar)	6 psi (0.41 bar)
Maximum	20 psi (1.38 bar)	20 psi (1.38 bar)	20 psi (1.38 bar)	20 psi (1.38 bar)	20 psi (1.38 bar)	20 psi (1.38 bar)

* It is recommended that larger nozzle sizes be used only on soils and slopes that can handle higher application rates.

** For optimum performance Senninger recommends the use of maximum spacing for 1-2 spans only.

Pads available in concave (blue), convex (green) and flat (black) in smooth, medium groove, and deep groove based on desired trajectory and throw.