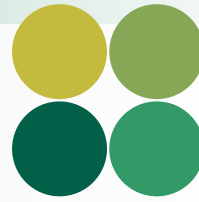


Universal Motion Components

Quality Irrigation Products



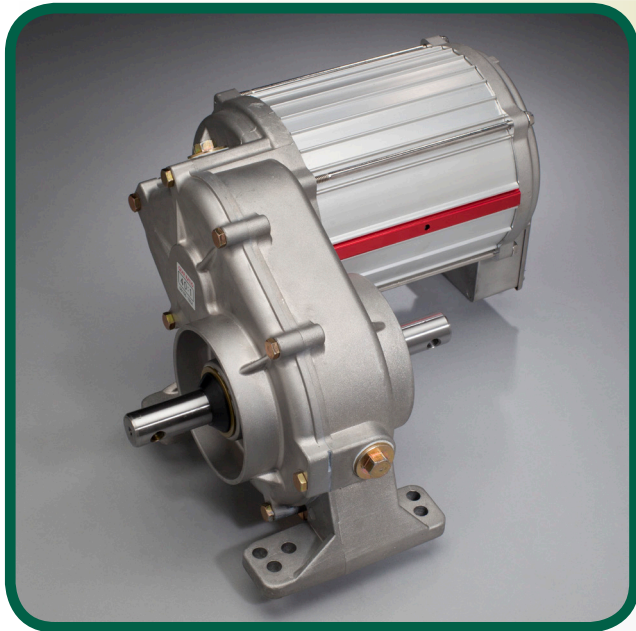
ISO 9001:2008
CERTIFIED



UMC

www.umcproducts.com

2920 Airway Ave, Costa Mesa, Ca. 92626
phone: 714.437.9600 fax: 714.437.9700



Features and Benefits

UMC's Powersaver is available with a 3 phase, 460/380-volt AC, 60/50 Hz electric motor or a single phase, 60/50 HZ electric motor. We offer multi-ratio, speed-reducing gearboxes that use 95 percent-efficient helical spur gears for power transmission to the final drive gearbox.

- ▶ Spray guard for added moisture protection when sprinkler nozzles are located below the gearmotor. A feature found only on UMC Powersavers.
- ▶ Available in 3 phase, single phase and inverter duty applications.
- ▶ Aluminum finned stator housing for cooler running temperature.
- ▶ Helical spur gear design available in multiple ratios. UMC was the first to offer a helical gear design in the industry.
- ▶ All aluminum gear case for cooler running, longer life, and increased corrosion resistance.
- ▶ Multi-bolt mounting pattern fits (3 3/8" x 6 3/8"), (4 3/4" x 7 1/4") and (5" x 6") bolt patterns.
- ▶ All gears are heat treated.

Electric Gearmotor

PowerSaver 3.5

The most efficient gearmotor for center pivots and lateral move irrigation systems

The UMC dual voltage electric motor, available in 3 phase or single phase is designed to work with global power sources. When coupled with our wide range of speed reducing gear ratios, the grower is able to precisely control water application while saving energy.

Model Number	Description
PSG35-20	20:1 ratio 1 1/2HP
PSG35-25	25:1 ratio 1 1/2HP
PSG35-30	30:1 ratio 1 1/2HP
PSG35-40	40:1 ratio 3/4HP
PSG35-50	50:1 ratio 3/4HP
PSG35-60	60:1 ratio 3/4HP

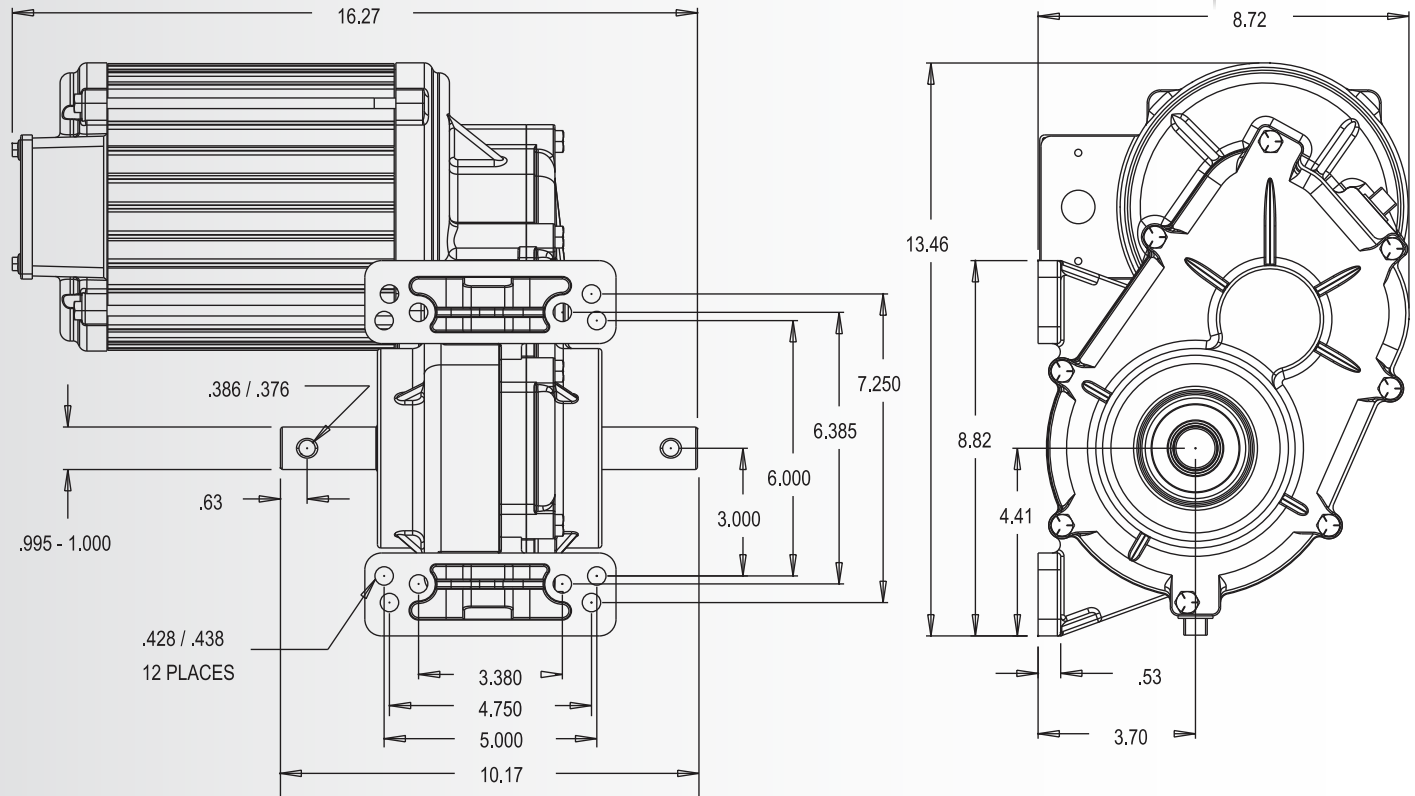
- ▶ Voltage: 460V 60 Hz, 380V 50 Hz and 208-230V 60Hz, 220-240V 50Hz.
- ▶ High strength steel shafting for long life and dependability.
- ▶ Thermally protected with automatic reset located in easily accessible junction box.
- ▶ Specially designed input and output seals.
- ▶ Top fill plug positioned to set correct oil level.
- ▶ All critical electrical connections use P.D. caps to encapsulate and to protect from moisture.
- ▶ Class H wire and Class F insulation.
- ▶ TFE tubing on all magnetic wire to motor lead connections.
- ▶ Makes possible the use of smaller generators and smaller incoming wire sizes.
- ▶ C.S.A., CCC, CE, and UL certified.
- ▶ Efficiency: 95%.
- ▶ Stainless junction box cover.
- ▶ Dual shaft seals.

sales@umcproducts.com

Universal Motion Components

Dimensional Drawing

Powersaver 3.5 Electric Gearmotor



Ratio	20:1	25:1	30:1	40:1	50:1	60:1
Motor HP	1 1/2 HP	1 1/2 HP	1 1/2 HP	3/4 HP	3/4 HP	3/4 HP
Service Factor	1.1	1.1	1.1	1.3	1.3	1.3
Full Load RPM	460 /380	460 /380	460 /380	460 /380	460 /380	460 /380
INPUT	1745 / 1425 RPM	1745 / 1425 RPM	1745 / 1425 RPM	1745 / 1425 RPM	1745 / 1425 RPM	1745 / 1424 RPM
OUTPUT	87 / 71 RPM	67 / 55 RPM	58 / 48 RPM	44 / 35 RPM	35 / 29 RPM	29 / 24 RPM
Full Load Amp	2.4 A / 2.7 A	2.4 A / 2.7 A	2.4 A / 2.7 A	1.4 A / 1.5 A	1.4 A / 1.5 A	1.4 A / 1.5 A
No Load Amp	1.3 A / 1.4 A	1.3 A / 1.4 A	1.3 A / 1.4 A	1.0 A / 1.1 A	1.0 A / 1.1 A	0.84 A / 0.90 A
Full LD Torque Motor	4.577 LB-FT	4.577 LB-FT	4.577 LB-FT	2.30 LB-FT	2.30 LB-FT	1.52 LB-FT
Breakdown Torque Motor	18.92 LB-FT	18.92 LB-FT	18.92 LB-FT	13.39 LB-FT	13.39 LB-FT	9.73 LB-FT
Lock Rotor AMPS	16.36 Amp	16.36 Amp	16.36 Amp	9.60 Amp	9.60 Amp	8.00 Amp
Lock Rotor TQE Motor	19.98 LB-FT (437%)	19.98 LB-FT (437%)	19.98 LB-FT (437%)	10.83 LB-FT (471%)	10.83 LB-FT (471%)	528% Estimated

sales@umcproducts.com



www.umcproducts.com



Universal Motion Components, Co. Inc.
 2920 Airway Ave, Costa Mesa, Ca. 92626
 Phone - 714-437-9600 Fax - 714-437-9700
 Web - <http://www.umcproducts.com>
 E-mail - sales@umcproducts.com