

QUALITY IRRIGATION
PRODUCTS

ISO 9001:2000 CERTIFIED

2920 Airway Ave, Costa Mesa, Ca. 92626
phone: 714.437.9600 fax: 714.437.9700



IRRIGATION DUTY MOTOR

56-C FACE MOTOR



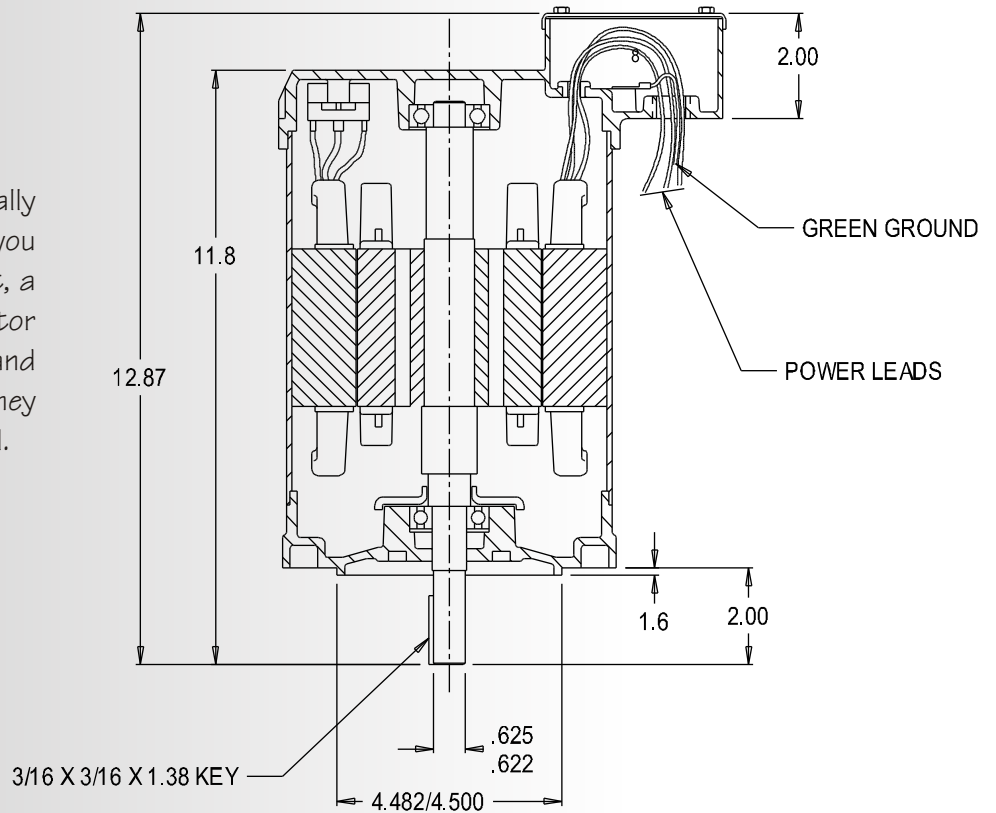
Evaluation Specifications

- * All critical electrical connections are encapsulated to resist penetration of moisture.
- * Specially designed to NEC and NEMA specs for rugged irrigation duty.
- * 460/380 3 Phase, 60/50 HZ dual voltage, 1725 RPM (60 HZ), 1475 RPM (50 HZ).
- * Thermally protected; automatic reset.
- * Internal fin cooled.
- * Heavy duty bearings.
- * Designed for soft starts.
- * High torque performance.
- * C.S.A. approved.
- * Totally enclosed light weight easy to access top junction box.
- * Minimal AMP draw: full load current at rated voltage, 2.3 AMPS.
- * .625 shaft diameter with key and standard NEMA 56-C face bolt pattern.
- * Class F rated insulation.
- * One year limited warranty.
- * Each motor hi-pot tested.

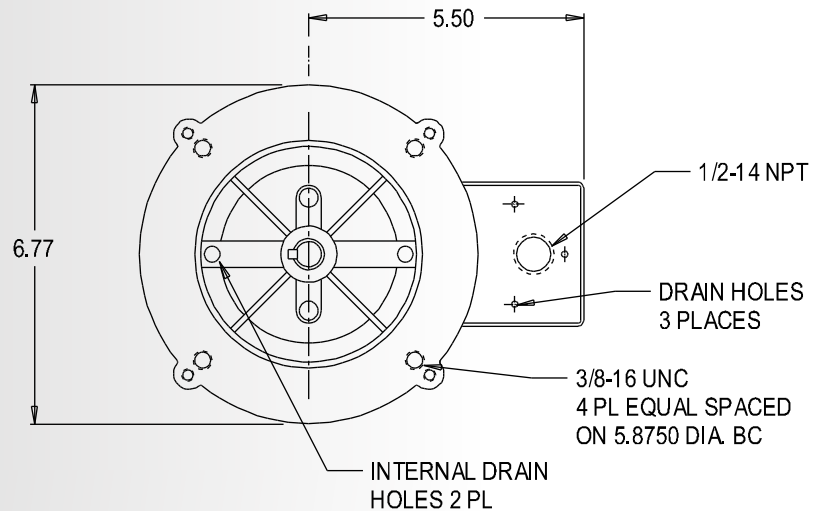
CONTACT UMC AT SALES@UMCPRODUCTS.COM

Dimensional Drawing Irrigation Duty Motor

This motor series has been specifically engineered to give you all the power you need, when you need it. The result, a highly efficient, state of the art motor with maximum usable horse power and minimal power used. This is why they are becoming the industry standard.



1 1/2 H.P. Irrigation Duty Motor	
NEMA Frame	56C
Rate H.P.	1 1/2
PH	3
Hz	50/60
VAC	380/460
R.P.M.	1725
Fla.	2.2
Ser. Fac.	1.0
Duty	Cont.
Inslu. Class	F



CONTACT UMC AT SALES@UMCPRODUCTS.COM



Universal Motion Components, Co. Inc.
2920 Airway Ave, Costa Mesa, Ca. 92626
Phone: 714.437.9600 Fax: 714.437.9700
Web: <http://www.umcproducts.com>
E-mail: sales@umcproducts.com