

Universal Motion Components

Quality Irrigation Products



ISO 9001:2008
CERTIFIED



UMC

www.umcproducts.com

2920 Airway Ave, Costa Mesa, Ca. 92626
phone: 714.437.9600 fax: 714.437.9700

Towable Final Drive Gearbox



TNT-2 Gearbox

Designed for applications where the irrigation system may need to be towed

This gearbox is the perfect solution for a towable irrigation system. Growers typically prefer this gearbox over a gearbox with a towable hub. Simply disengage the worm and tow your system to its working location, then re-engage the worm and you are ready to run. The CX coupler is the perfect compliment for the TNT-2 gearbox due to the ability to control coupler disengagement at the gearbox.

Model Number	Ratio
725-TNT-UV	52:1
725-TNT-U	50:1

Features and Benefits

UMC's patented TNT-2 final drive gearbox is designed specifically for applications where a center pivot or lateral move/ linear irrigation system needs to be towed. The gearbox provides the ability to disengage the worm gear and allows users to move systems from one area to another without requiring a Towable Hub add on.

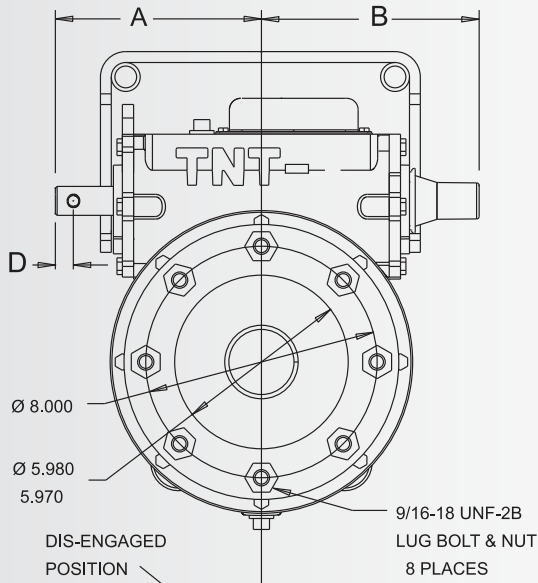
- ▶ 2.25" output shaft
- ▶ 50:1 gear ratio
- ▶ Dual input seals with triple lip output seals
- ▶ Bronze gear optional
- ▶ Input shaft guard
- ▶ External seal protectors for input and output seals
- ▶ Top oil fill plug
- ▶ Universal mounting pattern
- ▶ Full cycle expansion chamber with stainless steel cover
- ▶ Filled with extreme pressure worm gear oil
- ▶ Steel output shaft and input shaft
- ▶ Tapered roller bearings
- ▶ Includes carriage bolts and nuts
- ▶ Dual ended input shaft

sales@umcproducts.com

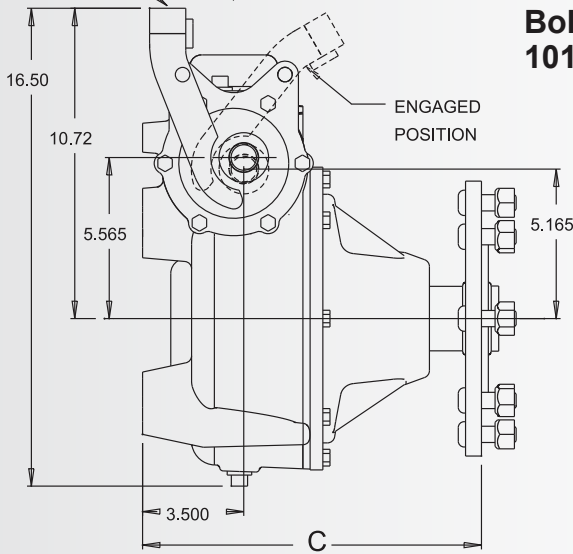
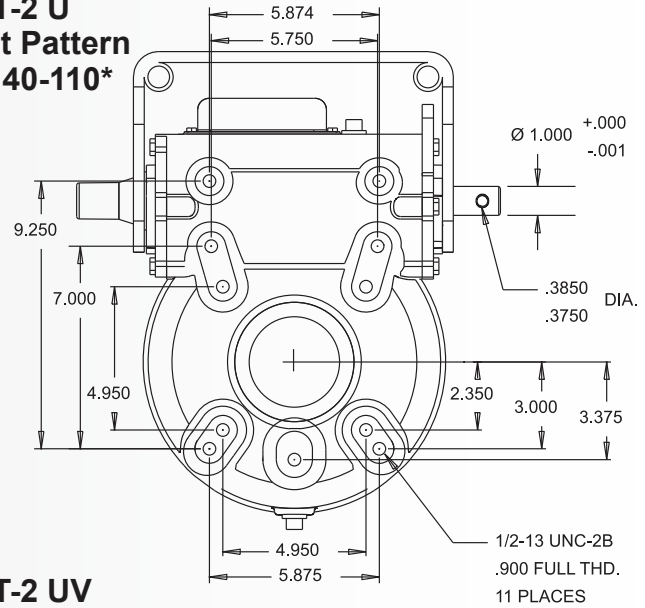
Universal Motion Components

Dimensional Drawing

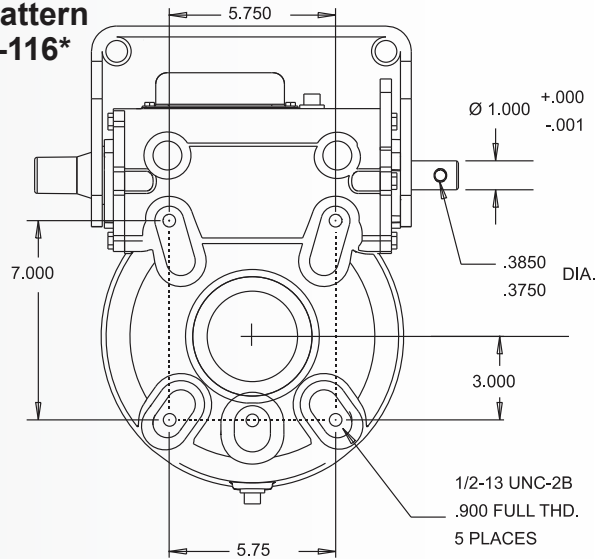
725-TNT - Final Drive Gearbox



TNT-2 U Bolt Pattern 10140-110*



TNT-2 UV Bolt Pattern 10140-116*



Dimension	A	B	C	D
TNT2-U	7.05"	7.529"	11"	.625"
TNT2-UV	7.788"	8.192"	13.07"	1"

sales@umcproducts.com



www.umcproducts.com



Universal Motion Components, Co. Inc.
 2920 Airway Ave, Costa Mesa, Ca. 92626
 Phone - 714-437-9600 Fax - 714-437-9700
 Web - <http://www.umcproducts.com>
 E-mail - sales@umcproducts.com