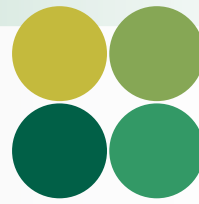


## Quality Irrigation Products



ISO 9001:2008  
CERTIFIED



# UMC

[www.umcproducts.com](http://www.umcproducts.com)

2920 Airway Ave, Costa Mesa, Ca. 92626  
phone: 714.437.9600 fax: 714.437.9700

## Final Drive Gearbox



### 740-U Gearbox

**Designed for longer spans, larger wheels, and heavier towers**

This gearbox is UMC's standard ultimate duty gearbox that is capable of handling nearly any field condition. Although it is overkill for conditions where a Moderate Duty or a 725 gearbox would suffice, many growers like the versatility of the 740 as it allows for operating in conditions where wheel ruts may exist, soil can be heavy and terrain is uneven.

Model Number	Ratio
740-U	50:1

## Features and Benefits

UMC's 740-U final drive gearbox features a 2.25" output shaft with larger input bearings capable of handling more input load. The gearbox also features cartridge input and output seals. It is designed to support longer spans, larger wheels, and heavier towers for use on center pivots and lateral move/ linear irrigation systems.

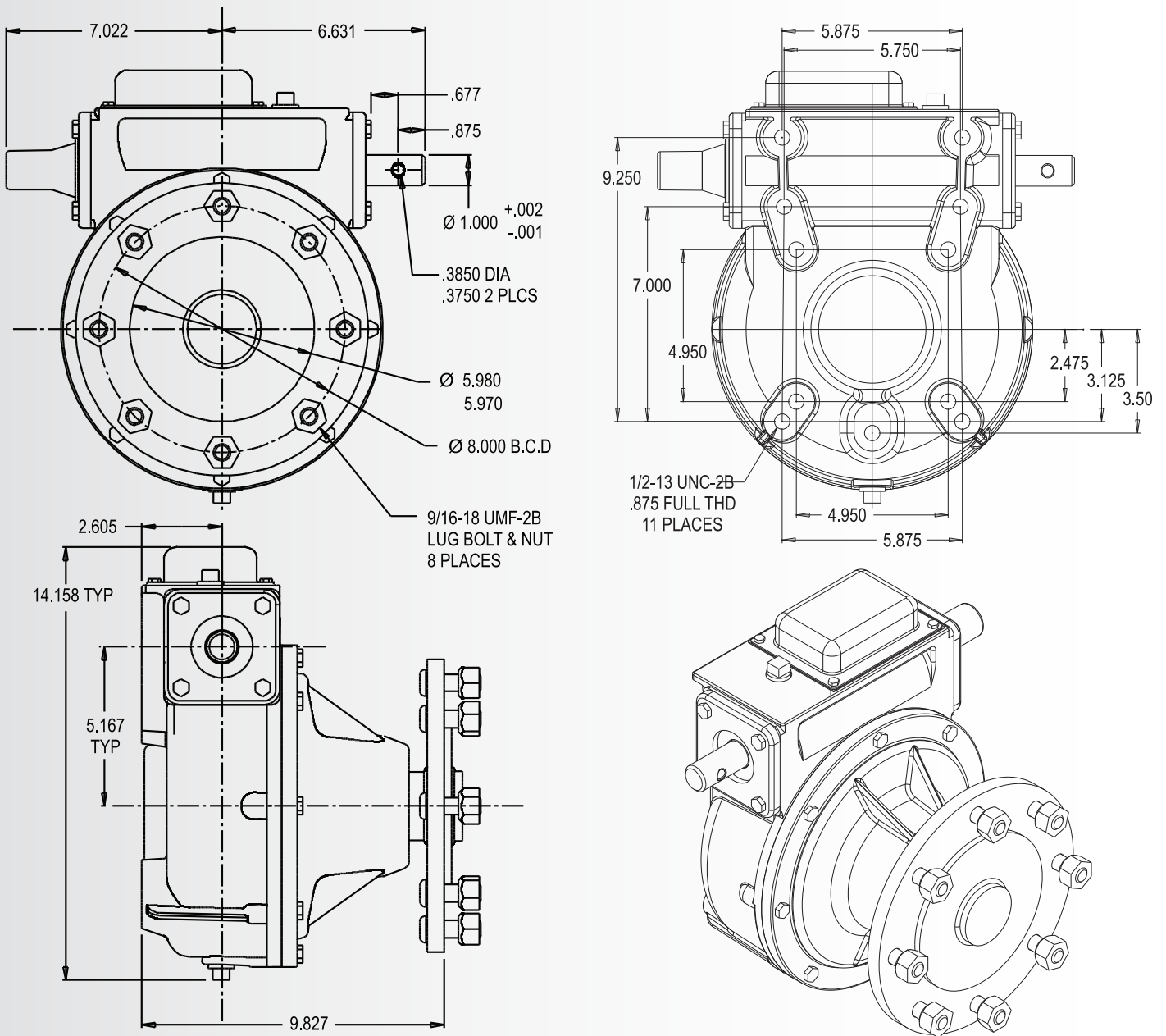
- ▶ 2.25" output shaft
- ▶ 50:1 gear ratio
- ▶ Cartridge input and output seals
- ▶ Larger input bearings
- ▶ Input shaft guard
- ▶ External seal protectors for input and output seals
- ▶ Top oil fill plug
- ▶ Universal mounting pattern
- ▶ Full cycle expansion chamber with stainless steel cover
- ▶ Filled with extreme pressure worm gear oil
- ▶ Steel output shaft and input shaft
- ▶ Tapered roller bearings
- ▶ Includes carriage bolts and nuts
- ▶ Dual ended input shaft

[sales@umcproducts.com](mailto:sales@umcproducts.com)

# Universal Motion Components

Dimensional Drawing

## 740-U Final Drive Gearbox



Universal mounting bolt pattern fits most Lindsay, Reinke, and Lockwood systems.

[sales@umcproducts.com](mailto:sales@umcproducts.com)



[www.umcproducts.com](http://www.umcproducts.com)



Universal Motion Components, Co. Inc.  
2920 Airway Ave, Costa Mesa, Ca. 92626  
Phone - 714-437-9600 Fax - 714-437-9700  
Web - <http://www.umcproducts.com>  
E-mail - [sales@umcproducts.com](mailto:sales@umcproducts.com)